



panel mount



desktop version

- 85 keys, silicone rubber
- IP67 sealing
- 38 mm ergonomic trackball

## IEC60945 MARINE RUBBER KEYBOARD WITH ERGONOMIC TRACKBALL

This 85 key backlit keyboard features a compact keyboard with integrated waterproof 38 mm ergonomic trackball with scroll wheel. The rubber keys are proven for efficient cleaning, reduced disinfection time and protection against cross contamination. The backlit keys warrant for optimized performance while working in low-light environments. Panel mount and desktop version available.

### MAIN FEATURES

- Certificate of Conformity fully compliant with IEC60945
- Compact layout, 85 full travel keys
- 38 mm waterproof ergonomic trackball with hall-effect scroll wheel
- Removable ball for easy cleaning
- Dimmable backlighting at 8 levels by two dedicated keys (FN key + arrow up/down)
- No external power supply necessary, keyboard port power sufficient
- Low power LED's warrant for a long life
- White backlighting as standard, other colours on request
- Compact thickness

#### PANEL MOUNT VERSION

- Front panel mounting with M3 stud, 10 x M3 x 15 mm
- Dimensions: 415 x 145 x 79 mm
- Weight: 0,7 kg

#### DESKTOP VERSION

- ABS enclosure
- Dimensions: 420 x 150 x 68,22 mm
- Weight: 1,2 kg

### CUSTOMIZATION

Possible customization includes adapted backlighting controls, addition of company logo or specific function keys, different layouts, different colour. All this without having to reapply for certification.



### GENERAL TECHNICAL SPECIFICATIONS

#### KEYBOARD

Sealing	IP67 sealed frontal
Keys	85 full travel rubber keys
Pointing device	38 mm ergonomic trackball
Output	1,6 m USB cable
Power requirements	Directly from USB port
Operating temp.	-15°C to +70°C
Storage temp.	-40°C to +85°C
Switch force	300 grams ± 100 grams
Switch stroke	1,5 mm
Lifetime switches	1 million actuations

#### TRACKBALL

Ball size/material	Ø38,1 mm (1.5")/Epoxy resin
Tracking force	30 - 80 grams - PTFE seal
Ball load	100N (10 kg) maximum downward pressure for 2 minutes @ 20°C
Resolvable ball speed	30 IPS (inches per second)
Tracking engine	Infra-red optical navigation technology
Removable ring	PC/ABS, black

#### SCROLL WHEEL

Wheel diameter	Ø25 mm
Wheel material	PC/ABS
Wheel colour	Grey
Encoding technology	Hall effect
Magnet strength	N42
Dentent-scrolling force	30 grams nominal
Switch actuation force	275 ± 125 grams force

#### LEFT/RIGHT SWITCH

Switch actuation force	250 ± 100 grams force
------------------------	-----------------------



### ORDER INFO

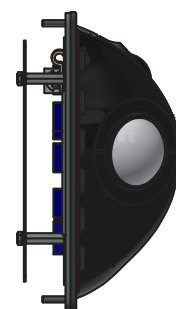
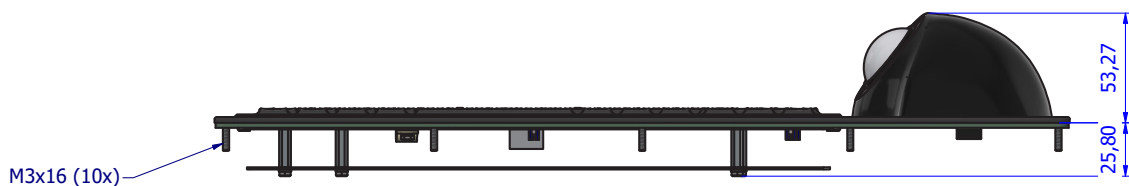
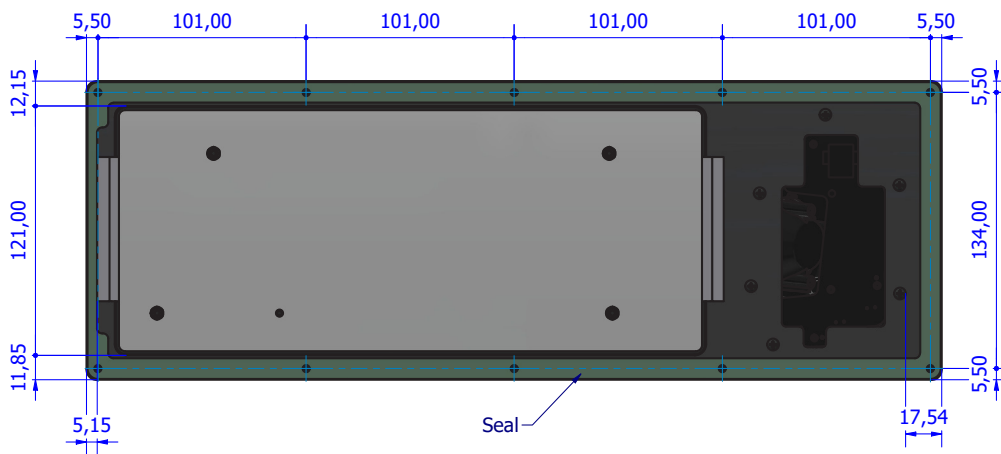
COUNTRY LAYOUT	PANEL MOUNT	DEKSTOP VERSION
US Qwerty	RKTE85B0001-W-MC1	RKTE85S0001-W-MC1
Cyrillic Qwerty	RKTE85B0007-W-MC1	RKTE85S0007-W-MC1
French Azerty	RKTE85B0033-W-MC1	RKTE85S0033-W-MC1
Danish Qwerty	RKTE85B0045-W-MC1	RKTE85S0045-W-MC1
German Qwertz	RKTE85B0049-W-MC1	RKTE85S0049-W-MC1

USB output  
White backlighting as standard, other colours on request

The company reserves the right to alter without prior knowledge the specification or design of any standard product or service.

**DIMENSIONAL DRAWING**

**PANEL MOUNT**



**DIMENSIONAL DRAWING**

**DESKTOP**

